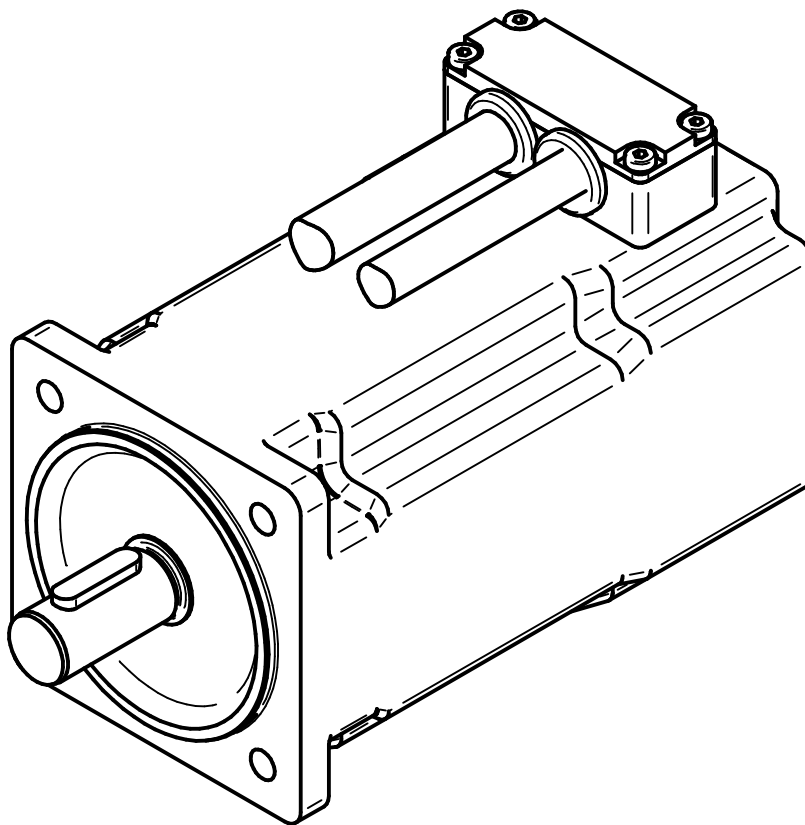
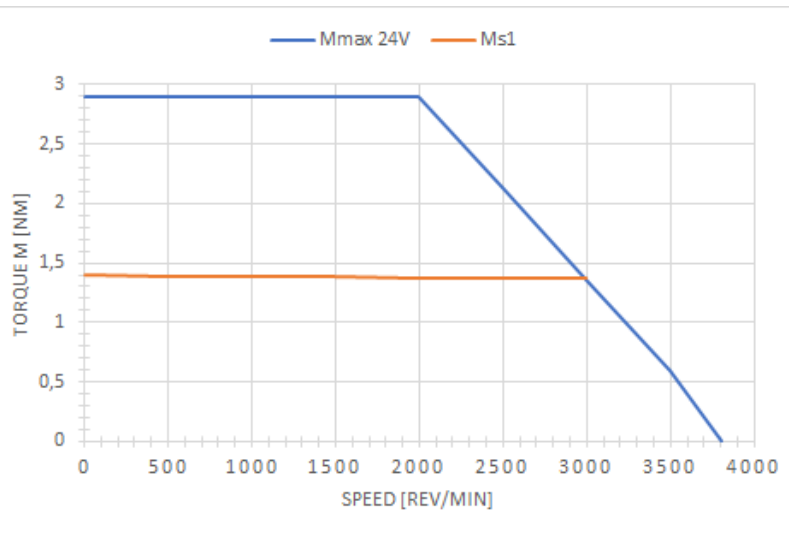


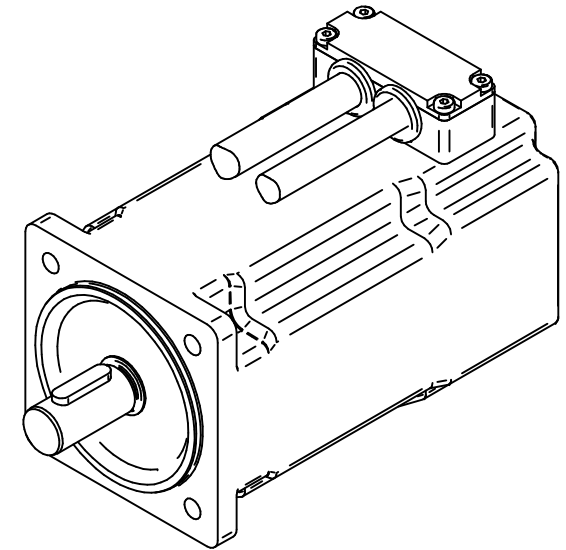
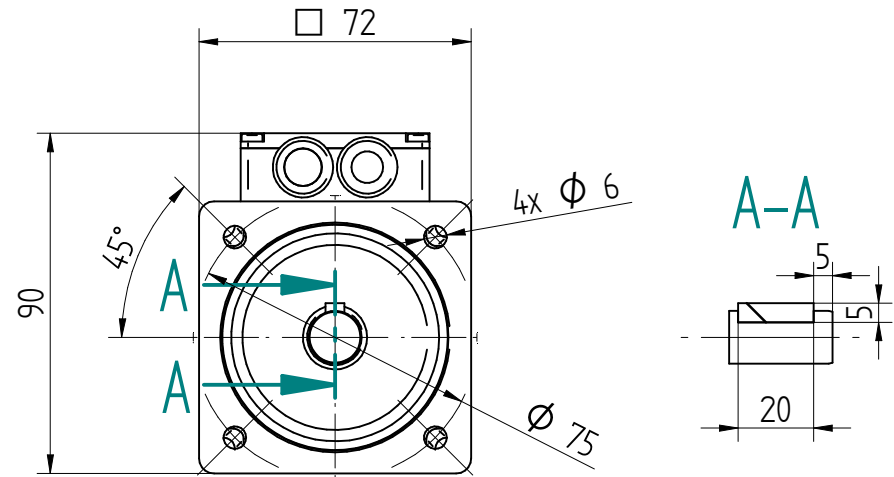
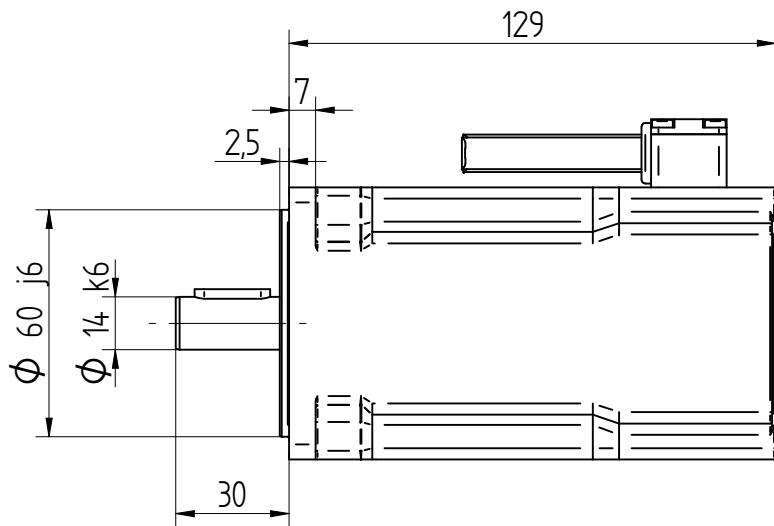
Technical Data

Number of poles	8	
Rated Voltage	24 V	
Rated Power	430 W	
Rated Torque	1.36 Nm	
Rated Speed	3000 rpm	
Rated Current (RMS)	19.7 A	
Maximum Torque	2.9 Nm	
Maximum Current (RMS)	40 A	
Standstill Torque	1.38 Nm	
Standstill Current	20 A	
Inductance line-line	0,35 mH ±20%	
Voltage constant	4.7 V/krpm	
Rotor moment of inertia	0.462 kgcm ²	
Isulation class	F	
Weight	1.8 kg	
Feedback device	Incremental encoder	
	1024 lpr	
Cooling method	Totally enclosed non-ventiled	
Protection level	IP65, shaft sealing IP54	
Environmental conditions	Temperature	-20°C to 40°C
	Humidity	Below 90%
	Environment	Far away active gas, combustibile gas, oil drop, osh.
	Instalation altitude	UP TO 1000m:rated power above 1000m:15% power decreasing per 100m,max.400m
Rating Conditions	Mounting	
	Temperature	60K housing temperature rising at 40°C ambient



PSM72-4330B8E1NL-00

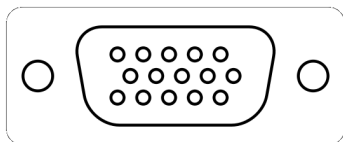
**Ultra
Robotics**



ENCODER CONNECTIONS

Pin	Color	Signal
1	red	+5 V
2	black	GND
3	-	-
4	yellow	U
5	-	-
6	gray	Z+
7	blue	B+
8	pink	A+
9	violet	W+
10	green	V+
11	white	/Z
12	blue-red	/B
13	pink-gray	/A
14	-	-
15	-	-

D-SUB HD 15 pin



POWER WIRE CONNECTIONS

Pin	Color	Signal
1	1	U
2	2	V
3	3	W
4	yel/grn	PE
5	grn	shield

PSM72-4330B8E1NL-00

**Ultra
Robotics**