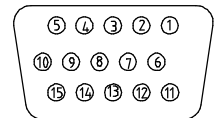


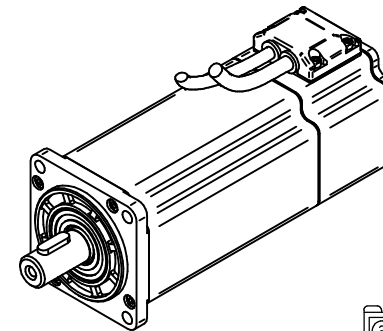
Encoder connector - D-SUB HD 15 PIN



ENCODER	
VOLTAGE	+5 VDC ±5%
CURRENT	max. 200 mA
FREQUENCY	0 - 125 kHz
TEMP.	-20 - 40 °C
RESOLUTION	2500

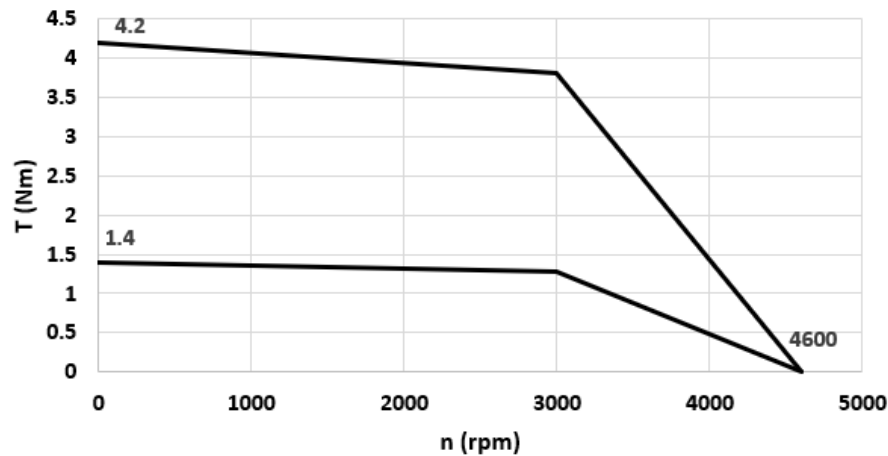
### Motor Specification

Voltage	48 VDC
Rated Power	400 W
Rated Speed	3000 rpm
Rated Current	11 A
Rated Torque	1.27 Nm
Peak Current	33 A
Peak Torque	3.81 Nm
Number of Poles	6
Resistance	0.2 Ohm ±10%
Inductance	0.4 mH ±20%
Ke (RMS)	7 V/Krpm
Kt	0.166 Nm/A
Rotor Inertia	0.48 kgcm <sup>2</sup>
Weight	1.8 kg
Max Radial Force	180 N
Max Axial force	90 N



Housing:H66L6-04P  
Terminal:T66L6-B

### Performance Curve



### MOTOR CONNECTIONS

Pin	Color	Signal
1	yel	U
2	red	V
3	blk	W
4	yel/grn	PE
5	brn	U-
6	yel	Z+
7	grn	B+
8	blu/blk	A+
9	gry/blk	W+
10	wht/blk	V+
11	yel/blk	Z-
12	grn/blk	B-
13	blu	A-
14	gry	W-
15	wht	V-

# PSM60-3130B6E2NL