

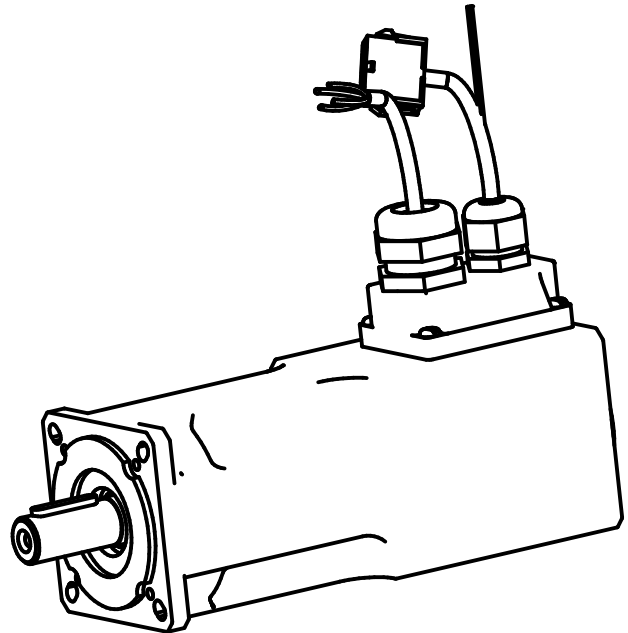
## Technical Data AC Servomotor

Number of poles	8
Maximum Voltage motor terminal	24 V
Rated Power	670 W
Rated Torque	3.2 Nm
Rated Speed at 24 VDC DC Bus*	2000 rpm
Rated Speed at 31 VDC DC Bus*	2500 rpm
Rated Current (RMS)	26.7 A
Maximum Torque	9.6 Nm
Maximum Current (RMS)	80.1 A
Resistance line-line	0,04 Ohm
Inductance line-line	0.12 mH
Voltage constant	0.07 Vs
Torque constant	0.12 Nm/A
Rotor moment of inertia	3.2 kgcm <sup>2</sup>
Max. voltage rising	8 kV/μs
Isulation class	F
Max. radial force	480 N
Max. axial force	70 N
Weight	4.15 kg
Feedback device	Incremental encoder
	2048p/ rev
Cooling method	Totally enclosed non-ventiled
Protection level	IP65, shaft sealing IP54
*Sinusoidal commutation	

Environmental conditions	Temperature	-20°C to 40°C
	Humidity	Below 90%
	Environment	Far away active gas, combustibile gas, oil drop, osh.
	Instalation altitude	UP TO 1000m:rated power above 1000m:15% power decreasing per 100m,max.400m
Rating Conditions	Mounting	Aluminium flange 255x255x6mm
	Temperature	60K housing temperature rising at 40°C ambient

### Brake Data

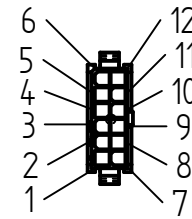
Static friction	10 Nm
Voltage	24 VDC
Power	16 W



PSM82-6025B8E21BC3-01

**Ultra  
Robotics**

BRAKE WIRE CONNECTIONS		
Pin	Color	Signal
1	White	Brake (+)
2	White	Brake (-)



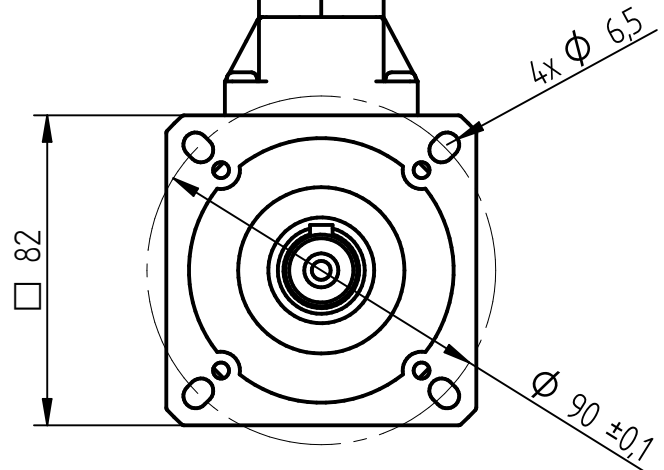
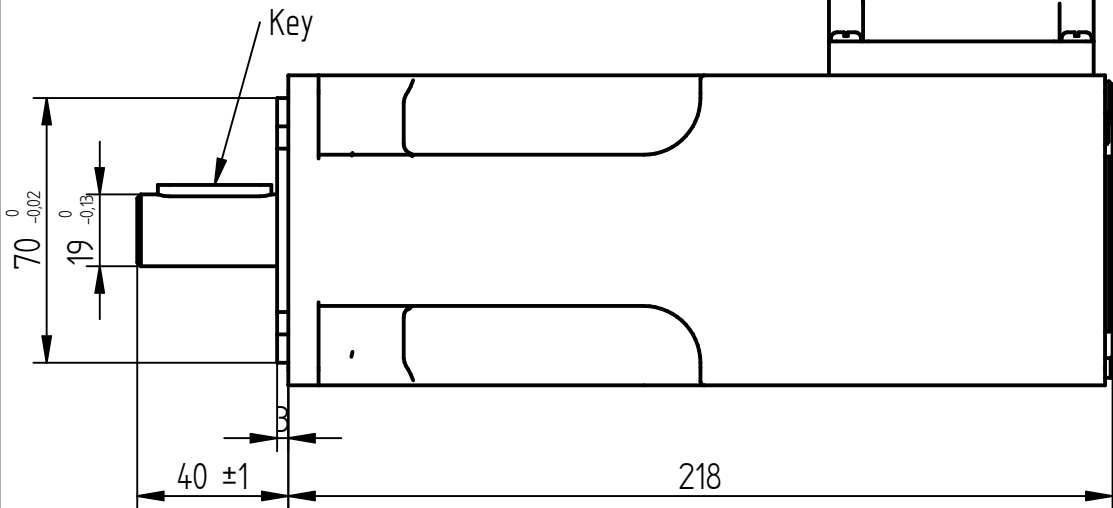
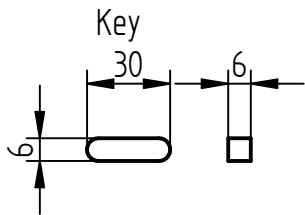
ENCODER CONNECTIONS		
Pin	Color	Signal
1	red	+5V
2	blk	0V
3	gray	W
4	white	V
5	brown	U
6	black/red	Screen
7	blue/black	B-neg
8	blue	B
9	Black/green	A-neg
10	green	A
11	black/yel	Z-neg
12	yellow	Z

MOTOR CONNECTIONS	
Color	Signal
Red	U
White	V
Black	W
Yellow	PE

Motor Cable Betatherm 155°  
Single Core Conductor Size 2.5mmq

Encoder Cable L=200mm ca.  
Size 14+SxAWG26

Brake Cable  
Single Core Conductor size 0.75mmq



Imię, Nazwisko:		
Rysował:		
rozm.: A3	Numer rysunku: PSM82-6025B8E21BC3-01	zm.:
Skala arkusza: 1:1		Liczba sztuk:
		Materiał: