

# PM90GWS

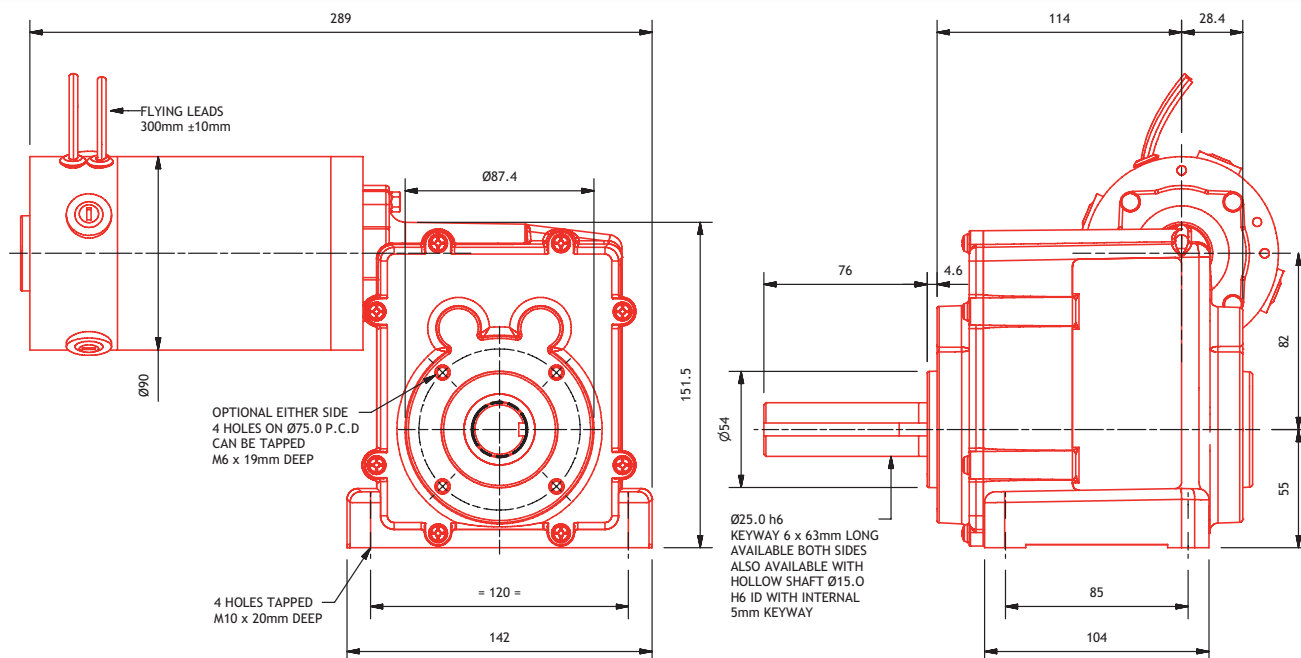
PARVALUX®

MOTOR	Permanent magnet DC motor
PROTECTION	Totally enclosed (IP54)
GEARBOX	Worm spur (GWS)
MOTOR POWER	113 - 525 Watts
SPEED	0.5 - 71 rpm
VOLTAGE	12V, 24V, 36V or 48V, D.C.
WEIGHT	10.5 kg
RADIAL LOAD	667 N
AXIAL LOAD	353 N
SHAFT TYPE	Single ended or double ended shaft as standard
EXTRAS	See page 36



See page 158 to specify shaft and gearbox position

Motor Power Cont (W)	113	150	225	300	TORQUE (Nm)			
Motor Power 1 Hour (W)	141	188	281	375	CONTINUOUS	1 HOUR	15 MINUTE	
Motor Power 15 Min (W)	198	263	394	525				
Ratio Worm	Ratio Spur	MOTOR SPEED (rpm)						
		1500	2000	3000	4000			
		OUTPUT SPEED (rpm)						
30	110	0.5	0.6	0.9	1.2	250	250	250
16 1/2	110	0.8	1.1	1.7	2.2	250	250	250
9 1/3	110	1.5	1.9	2.9	4	250	250	250
7 1/4	110	1.9	2.5	3.8	5	250	250	250
5 1/8	110	2.7	3.5	5.3	7	250	250	250
7 1/4	57	3.6	4.8	7.3	10	187	233	250
6 1/6	57	4.3	5.7	8.5	11	165	206	250
10 1/3	25	5.8	7.7	11.6	15	111	138	194
8 1/3	25	7.2	9.6	14.4	19	94	118	165
6 1/6	25	9.7	13.0	19.5	26	75	93	131
12 1/3	11	11.1	14.7	22	29	58	72	90
8 1/3	11	16.4	21.8	33	44	43	54	76
6 1/6	11	22.1	29	44	59	34	43	60
5 1/8	11	26.6	35	53	71	30	37	52



worm spur