

# PM6GWS

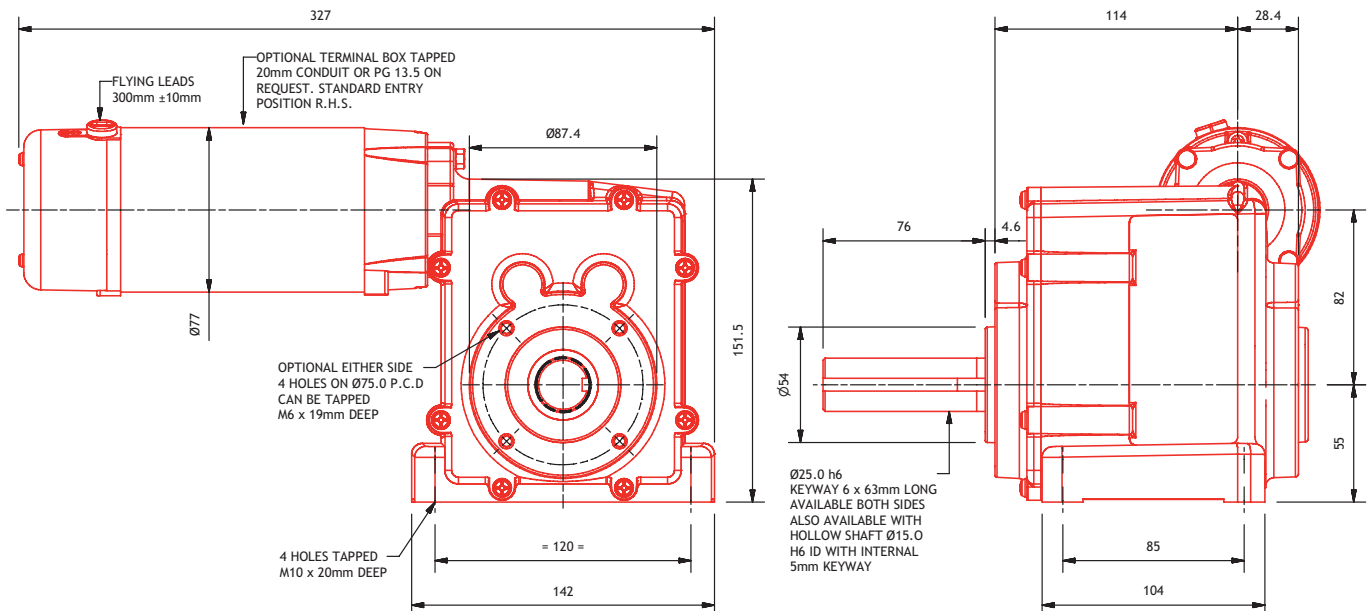
PARVALUX®

MOTOR	Permanent magnet DC motor
PROTECTION	Ventilated (IP21)
GEARBOX	Worm spur (GWS)
MOTOR POWER	75 - 330 Watts
SPEED	0.5 - 71 rpm
VOLTAGE	12V - 220V DC available range
WEIGHT	9.65 kg
RADIAL LOAD	667 N
AXIAL LOAD	353 N
SHAFT TYPE	Single ended or double ended shaft as standard
EXTRAS	See page 36



See page 158 to specify shaft and gearbox position

Motor Power Cont. (W)	75	100	150	200	TORQUE (Nm)			
Motor Power 1 Hour (W)	90	120	180	240				
Motor Power 15 Min (W)	125	165	245	330				
Ratio Worm	Ratio Spur	MOTOR SPEED (rpm)				CONTINUOUS	1 HOUR	15 MINUTE
		1500	2000	3000	4000			
		OUTPUT SPEED (rpm)						
30	110	0.5	0.6	0.9	1.2	250	250	250
16 1/2	110	0.8	1.1	1.7	2.2	250	250	250
9 1/3	110	1.5	1.9	2.9	4	250	250	250
7 1/4	110	1.9	2.5	3.8	5	240	250	250
5 1/8	110	2.7	3.5	5.3	7	184	221	250
7 1/4	57	3.6	4.8	7.3	10	125	150	204
6 1/6	57	4.3	5.7	8.5	11	110	132	179
10 1/3	25	5.8	7.7	11.6	15	74	89	121
8 1/3	25	7.2	9.6	14.4	19	63	75	103
6 1/6	25	9.7	13.0	19.5	26	50	60	81
12 1/3	11	11.1	14.7	22	29	38	46	63
8 1/3	11	16.4	21.8	33	44	29	35	47
6 1/6	11	22.1	29	44	59	23	28	37
5 1/8	11	26.6	35	53	71	20	24	33



worm spur