

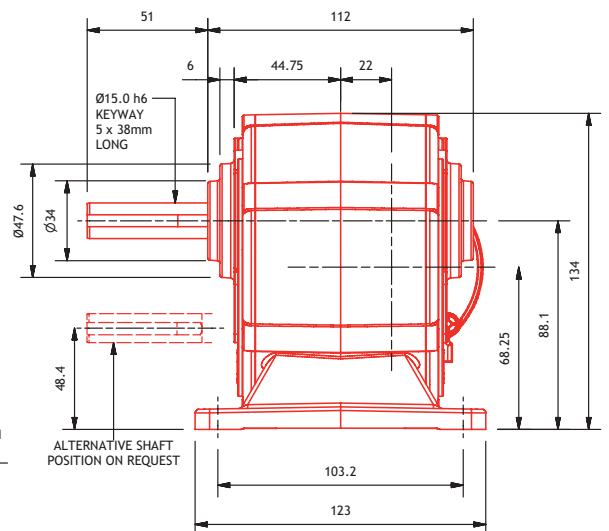
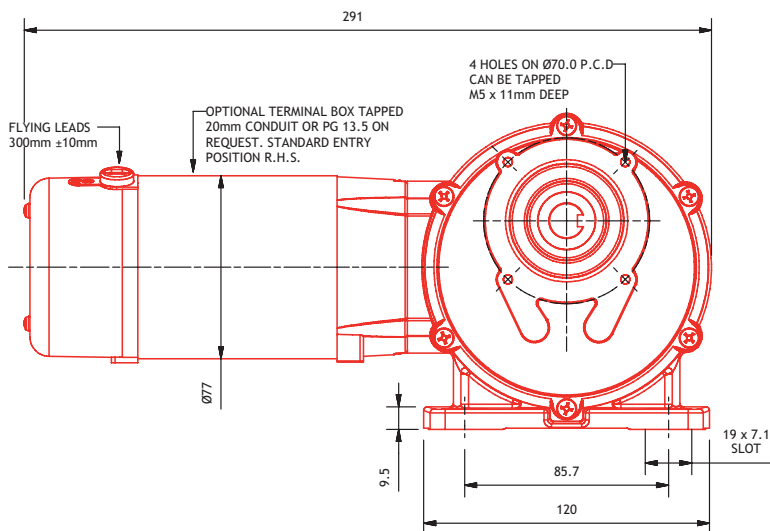
PM5LWS

- MOTOR Permanent magnet DC motor
- PROTECTION Totally enclosed (IP54)
- GEARBOX Worm spur (LWS)
- MOTOR POWER 60 - 250 Watts
- SPEED 0.4 - 80 rpm
- VOLTAGE 12V - 220V DC available range
- WEIGHT 6.56 kg
- RADIAL LOAD 446 N
- AXIAL LOAD 226 N
- SHAFT TYPE Single ended or double ended shaft as standard; 17mm diameter shaft available with ratios 115:1 and 56:1
- EXTRAS Gearbox available without feet; unit can be mounted on gearbox spigot; for further options see page 36



See page 158 to specify shaft and gearbox position

Motor Power Cont (W)	60	80	120	160	TORQUE (Nm)			
Motor Power 1 Hour (W)	75	100	150	200	CONTINUOUS	1 HOUR	15 MINUTE	
Motor Power 15 Min (W)	100	150	200	250				
Ratio Worm	Ratio Spur	MOTOR SPEED (rpm)				CONTINUOUS	1 HOUR	15 MINUTE
		1500	2000	3000	4000			
		OUTPUT SPEED (rpm)						
30	115	0.4	0.6	0.9	1.2	100	100	100
16 1/2	115	0.8	1.1	1.6	2.1	100	100	100
8 1/3	115	1.6	2.1	3.1	4	100	100	100
7 1/4	115	1.8	2.4	3.6	5	100	100	100
12 1/2	56	2.1	2.9	4.3	6	100	100	100
10 1/3	56	2.6	3.5	5.2	7	100	100	100
9 1/3	56	2.9	3.8	5.7	8	100	100	100
8 1/3	56	3.2	4.3	6.4	9	100	100	100
7 1/4	56	3.7	4.9	7.4	10	98	100	100
6 1/4	56	4.3	5.7	8.6	11	88	100	100
13 1/2	25	4.4	5.9	9	12	62	62	62
12 1/2	25	4.8	6.4	10	13	62	62	62
10 1/3	25	5.8	8	12	15	57	62	62
9 1/3	25	6.4	9	13	17	53	62	62
8 1/3	25	7	10	14	19	49	61	62
6 1/4	25	10	13	19	26	39	49	62
16 1/2	6	15	20	30	40	19	24	32
13 1/2	6	19	25	37	49	17	21	28
11 1/3	6	22	29	44	59	15	18	24
9 1/3	6	27	36	54	71	13	16	21
8 1/3	6	30	40	60	80	12	15	19



worm spur