

# PM5GWS

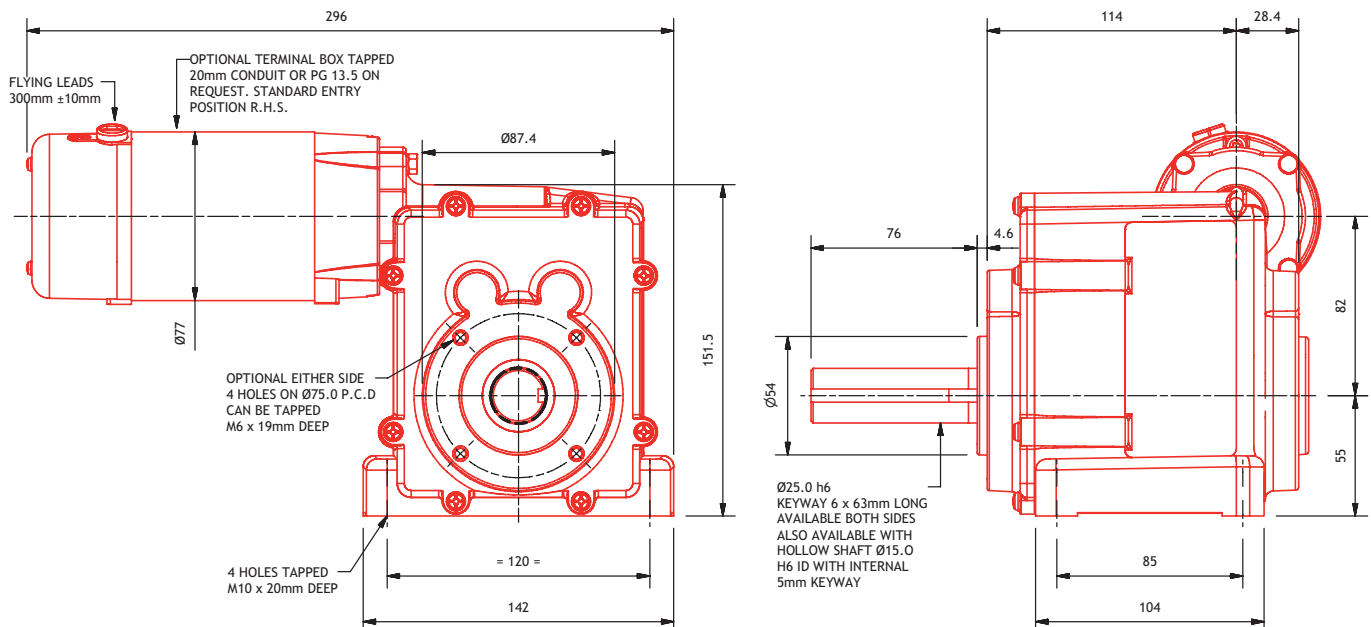
PARVALUX®

MOTOR	Permanent magnet DC motor
PROTECTION	Totally enclosed (IP54)
GEARBOX	Worm spur (GWS)
MOTOR POWER	60 - 250 Watts
SPEED	0.5 - 71 rpm
VOLTAGE	12V - 220V DC available range
WEIGHT	9.65 kg
RADIAL LOAD	667 N
AXIAL LOAD	353 N
SHAFT TYPE	Single ended or double ended shaft as standard
EXTRAS	See page 36



See page 158 to specify shaft and gearbox position

Motor Power Cont (W)	60	80	120	160	TORQUE (Nm)			
Motor Power 1 Hour (W)	75	100	150	200				
Motor Power 15 Min (W)	100	150	200	250				
Ratio Worm	Ratio Spur	MOTOR SPEED (rpm)				CONTINUOUS	1 HOUR	15 MINUTE
		1500	2000	3000	4000			
		OUTPUT SPEED (rpm)						
30	110	0.5	0.6	0.9	1.2	250	250	250
16 1/2	110	0.8	1.1	1.7	2.2	250	250	250
9 1/3	110	1.5	1.9	2.9	4	233	250	250
7 1/4	110	1.9	2.5	3.8	5	192	240	250
5 1/8	110	2.7	3.5	5.3	7	147	184	245
7 1/4	57	3.6	4.8	7.3	10	100	125	166
6 1/6	57	4.3	5.7	8.5	11	88	110	146
10 1/3	25	5.8	7.7	11.6	15	59	74	98
8 1/3	25	7.2	9.6	14.4	19	50	63	84
6 1/6	25	9.7	13.0	19.5	26	40	50	67
12 1/3	11	11.1	14.7	22	29	31	38	51
8 1/3	11	16.4	21.8	33	44	23	29	39
6 1/6	11	22.1	29	44	59	18	23	31
5 1/8	11	26.6	35	53	71	16	20	27



worm spur