

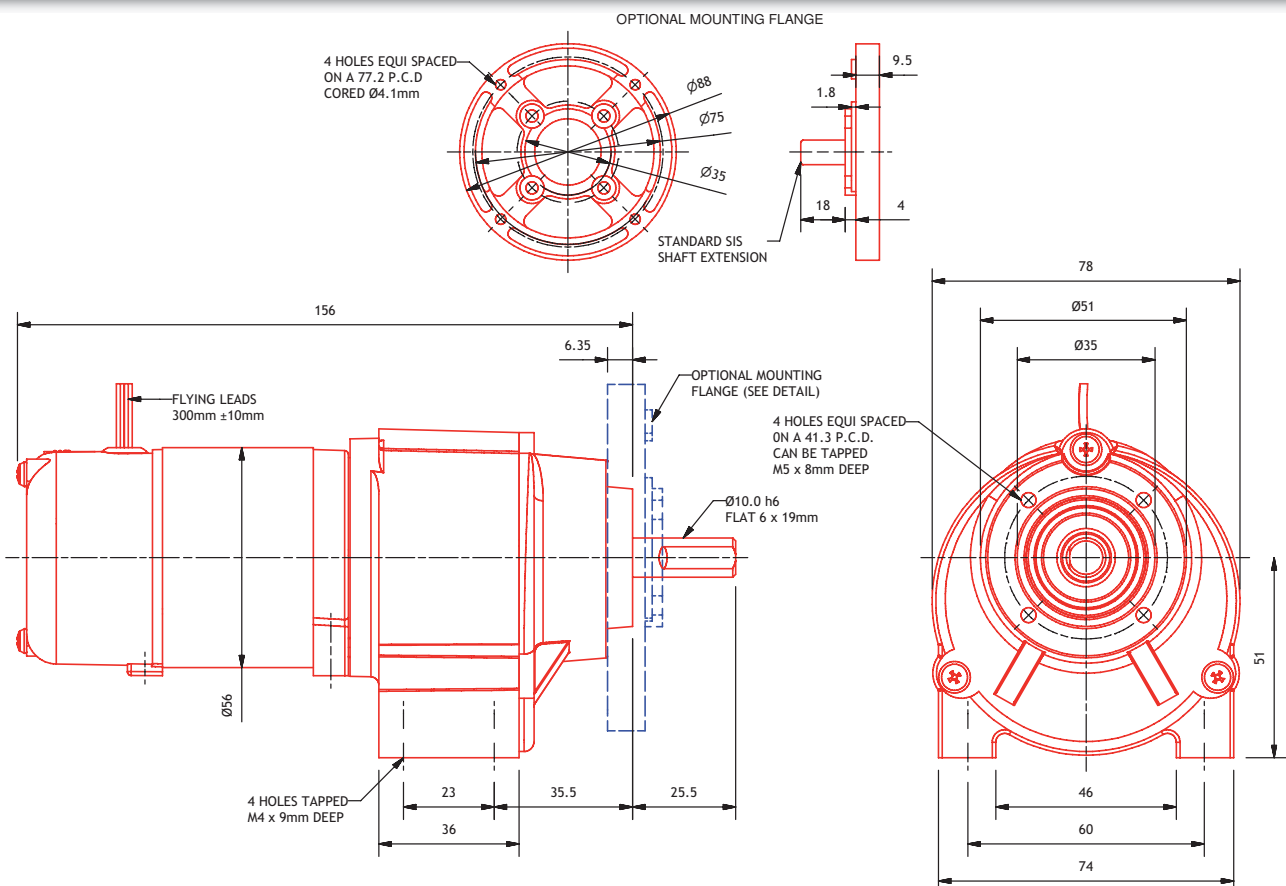
PM7SIS

MOTOR	Permanent magnet DC motor
PROTECTION	Totally enclosed (IP54)
GEARBOX	In-line spur (SIS)
MOTOR POWER	7.5 - 33 Watts
SPEED	5 - 182 rpm
VOLTAGE	12V - 220V DC available range
WEIGHT	1.4 kg
RADIAL LOAD	88 N
AXIAL LOAD	44 N
SHAFT TYPE	Single ended shaft
EXTRAS	See page 36



PM7SIS pictured with optional mounting flange
See page 158 to specify shaft and gearbox position

Motor Power Cont. (W)	7.5	10	15	20	TORQUE (Nm)		
	10	13	20	25			
	13	17	25	33			
Ratio Final	MOTOR SPEED (rpm)				CONTINUOUS	1 HOUR	15 MINUTE
	1500	2000	3000	4000			
	OUTPUT SPEED (rpm)						
303	5	7	10	13	6.7	7.9	7.9
228	7	9	13	18	5.7	7.5	7.9
172	9	12	17	23	4.7	6.3	7.9
129	12	16	23	31	4.3	5.7	7.1
94	16	21	32	43	3.2	4.3	5.4
71	21	28	42	56	2.5	3.3	4.1
53	28	38	57	75	1.9	2.6	3.2
29	52	69	103	138	1.1	1.5	1.9
22	68	91	136	182	0.9	1.2	1.5



in-line spur