

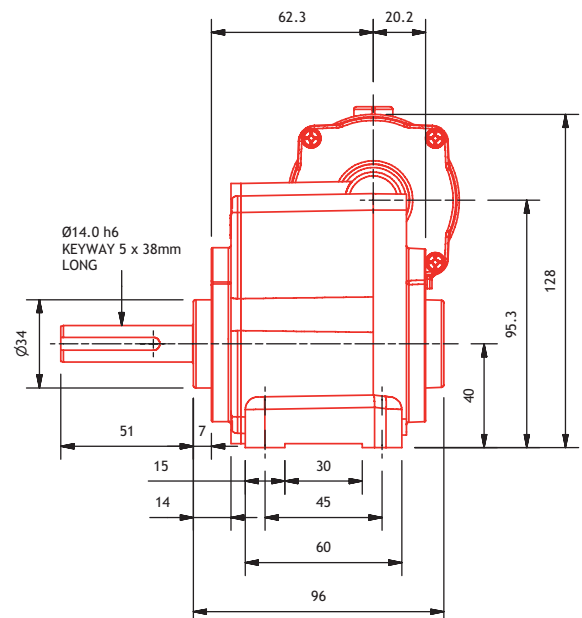
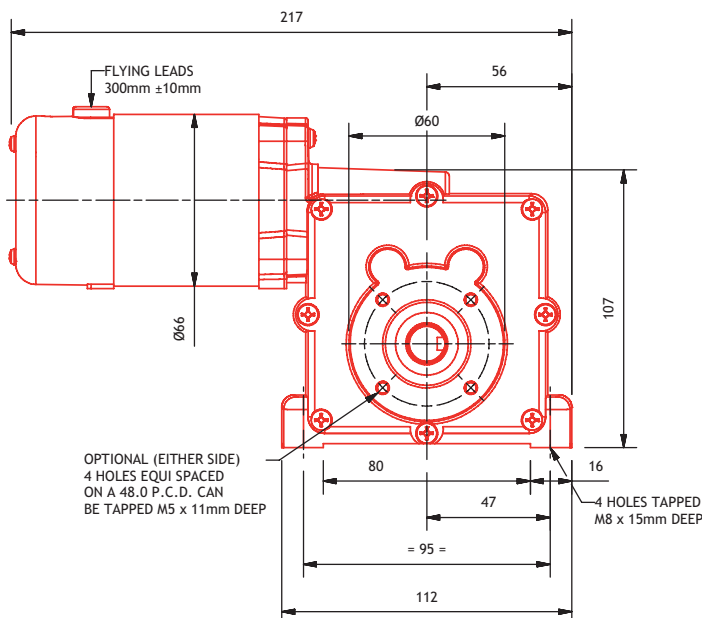
PM10MWS

| | |
|-------------|--|
| MOTOR | Permanent magnet DC motor |
| PROTECTION | Totally enclosed (IP54) |
| GEARBOX | Worm spur (MWS) |
| MOTOR POWER | 23 - 100 Watts |
| SPEED | 1 - 149 rpm |
| VOLTAGE | 12V - 220V DC available range |
| WEIGHT | 3.87 kg |
| RADIAL LOAD | 353 N |
| AXIAL LOAD | 177 N |
| SHAFT TYPE | Single ended or double ended shaft as standard |
| EXTRAS | See page 36 |



See page 158 to specify shaft and gearbox position

| Motor Power Cont (W) | 23 | 30 | 45 | 60 | TORQUE (Nm) | | | |
|------------------------|------------|--------------------|------|------|-------------|------------|-----------|-----------|
| Motor Power 1 Hour (W) | 28 | 38 | 55 | 75 | CONTINUOUS | 1 HOUR | 15 MINUTE | |
| Motor Power 15 Min (W) | 35 | 50 | 70 | 100 | | | | |
| Ratio Worm | Ratio Spur | MOTOR SPEED (rpm) | | | | CONTINUOUS | 1 HOUR | 15 MINUTE |
| | | 1500 | 2000 | 3000 | 4000 | | | |
| | | OUTPUT SPEED (rpm) | | | | | | |
| 40 | 35.39 | 1 | 1.4 | 2 | 3 | 45 | 45 | 45 |
| 27 | 35.39 | 1.6 | 2 | 3 | 4 | 45 | 45 | 45 |
| 18 1/2 | 35.39 | 2.3 | 3 | 5 | 6 | 45 | 45 | 45 |
| 12 1/2 | 35.39 | 3 | 5 | 7 | 9 | 37 | 45 | 45 |
| 9 1/3 | 35.39 | 5 | 6 | 9 | 12 | 30 | 36 | 45 |
| 7 1/4 | 35.39 | 6 | 8 | 12 | 16 | 25 | 30 | 38 |
| 5 1/6 | 35.39 | 8 | 11 | 16 | 22 | 18 | 21 | 27 |
| 4 1/8 | 35.39 | 10 | 14 | 21 | 27 | 16 | 19 | 25 |
| 8 1/3 | 15.1 | 12 | 16 | 24 | 32 | 12 | 15 | 19 |
| 7 1/4 | 15.1 | 14 | 18 | 27 | 37 | 10 | 13 | 16 |
| 6 1/4 | 15.1 | 16 | 21 | 32 | 42 | 9 | 11 | 15 |
| 4 1/8 | 15.1 | 24 | 32 | 48 | 64 | 7 | 8 | 11 |
| 8 1/3 | 6.5 | 28 | 37 | 55 | 74 | 5 | 6 | 8 |
| 7 1/4 | 6.5 | 32 | 42 | 64 | 85 | 4.8 | 5.8 | 7.4 |
| 6 1/4 | 6.5 | 37 | 49 | 74 | 98 | 4.3 | 5 | 6.6 |
| 5 1/6 | 6.5 | 45 | 60 | 89 | 119 | 4 | 4.5 | 6 |
| 4 1/8 | 6.5 | 56 | 75 | 112 | 149 | 3.1 | 3.8 | 4.8 |



worm spur